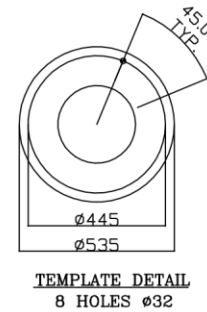
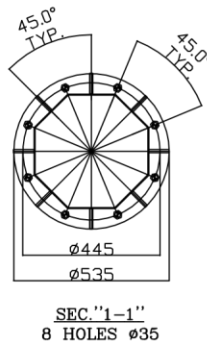
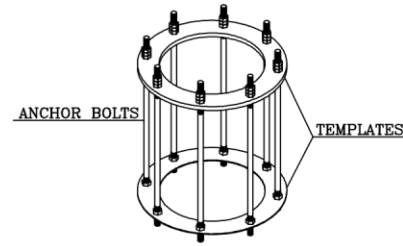
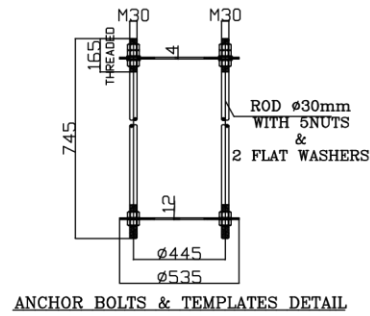
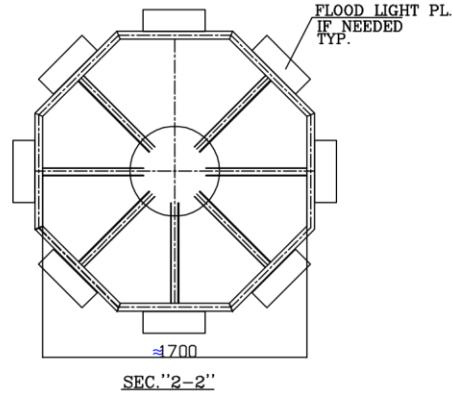
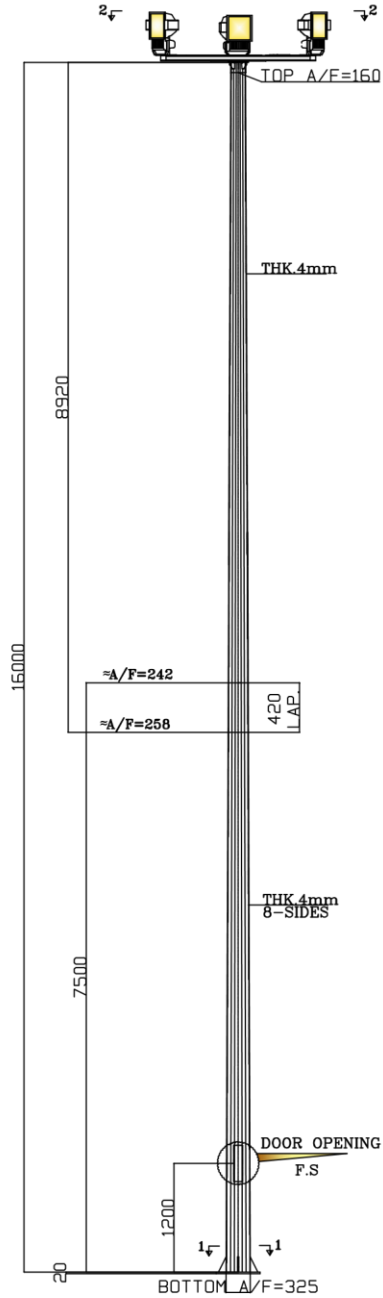


8 FLS  
JET 1000  
OUT OF OUR SCOPE



NOTES:-

- 1-DESIGN PER AASHTO . STANDARD SPECIFICATION FOR STRUCTURAL SUPPORT FOR HIGHWAY SIGNS, LUMINAIRES & TRAFFIC SIGNALS.
- 2-DESIGN WIND SPEED =120 km/hr. (3-SEC. GUST)
- 3-MATERIALS USED :ALL MATERIALS ARE S235JR EN 10025
- 4-ALL STEEL PARTS ARE HOT DIPPED GALVANIZED ACCORDING TO BS EN ISO 1461:2009 EXCEPT ACC. ARE C.D.G.
- 5-DIMENSIONS ARE IN m.m, UNLESS OTHERWISE SPECIFIED
- 6-BOND STRESS BETWEEN ANCHOR BOLTS & CONCRETE=1N/mm<sup>2</sup>.
- 7-FLOOD LIGHT ARE: [WT.=28.7 kg & Area=0.29m<sup>2</sup>,
- 8- EFFECTIVE PROJECTED AREA =2.2m<sup>2</sup>
- 9-TOLERANCE ARE ACCORDING TO AASHTO



12				
11				
10				
9				
8				
7				
6				
5				
4				
3				
2				
1				
0				
REV.	DATE	NAME	NAME	DATE
TITLE: GENERAL LAYOUT				
PROJECT: 16m LIGHTING POLE CARRYING 8 FLS		DRAWN		
DWG NO.		CHECK'D		
CODE NO.		BBT LIGHTING		
DO NOT SCALE DRAWING		REVISION NO.		
		11/0		